

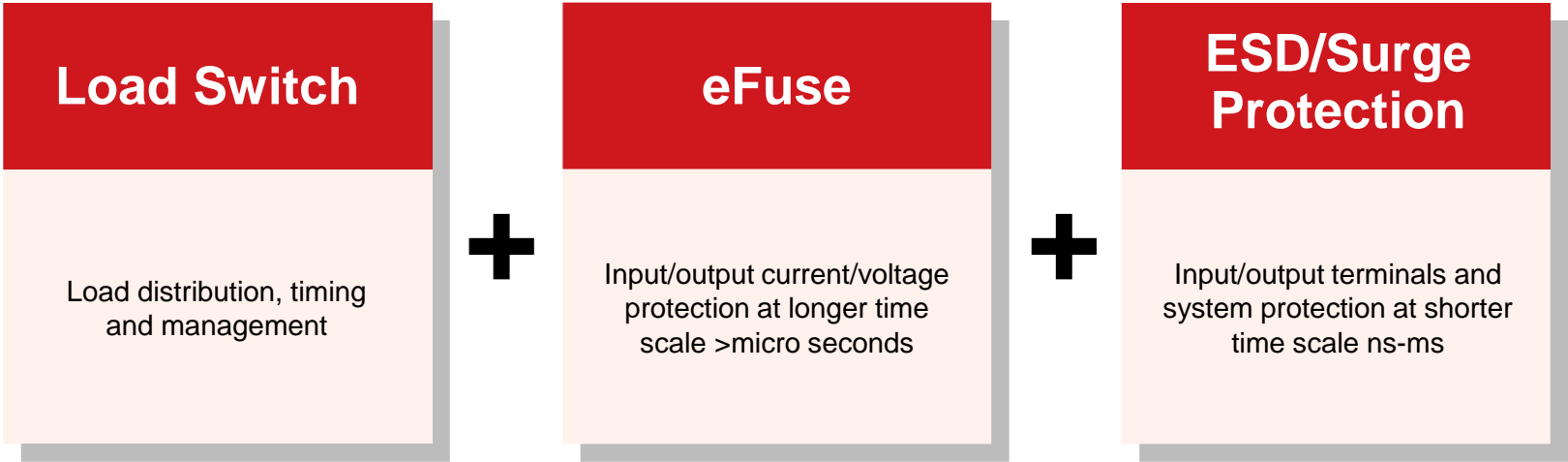


HotSwitch™

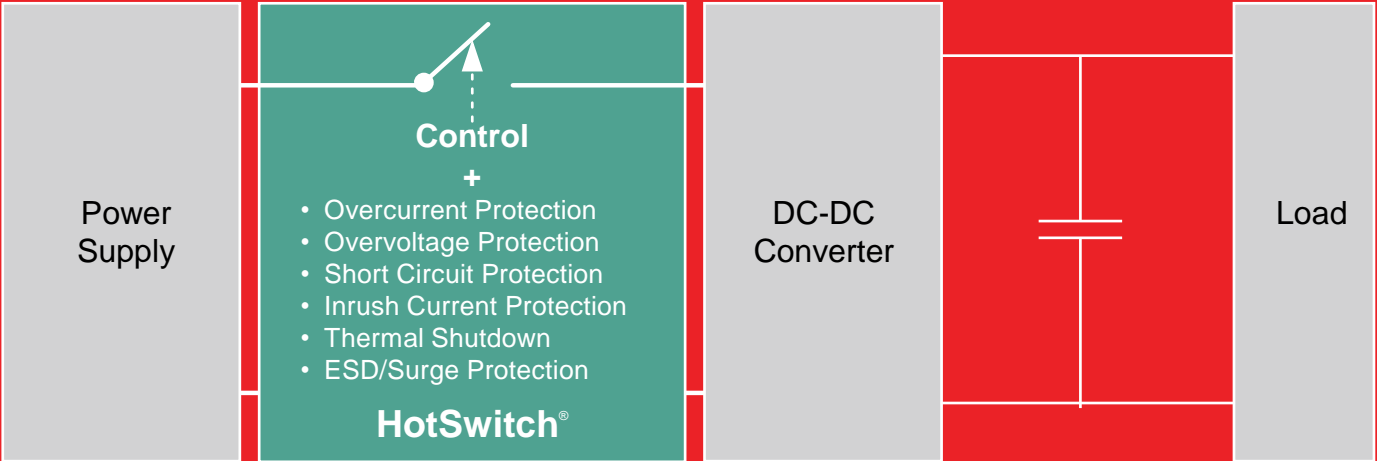
HotSwitch[®] for System Protection

HotSwitch portfolio of integrated devices for system protection against **Transient and Steady-State** fault conditions

HotSwitch[®] =

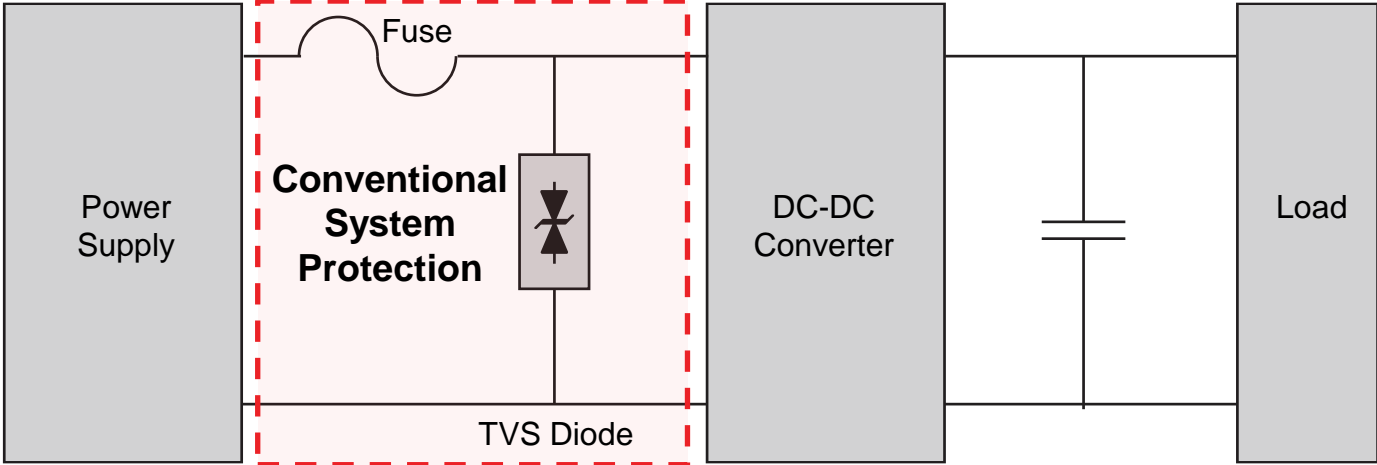


Revolutionary System Protection



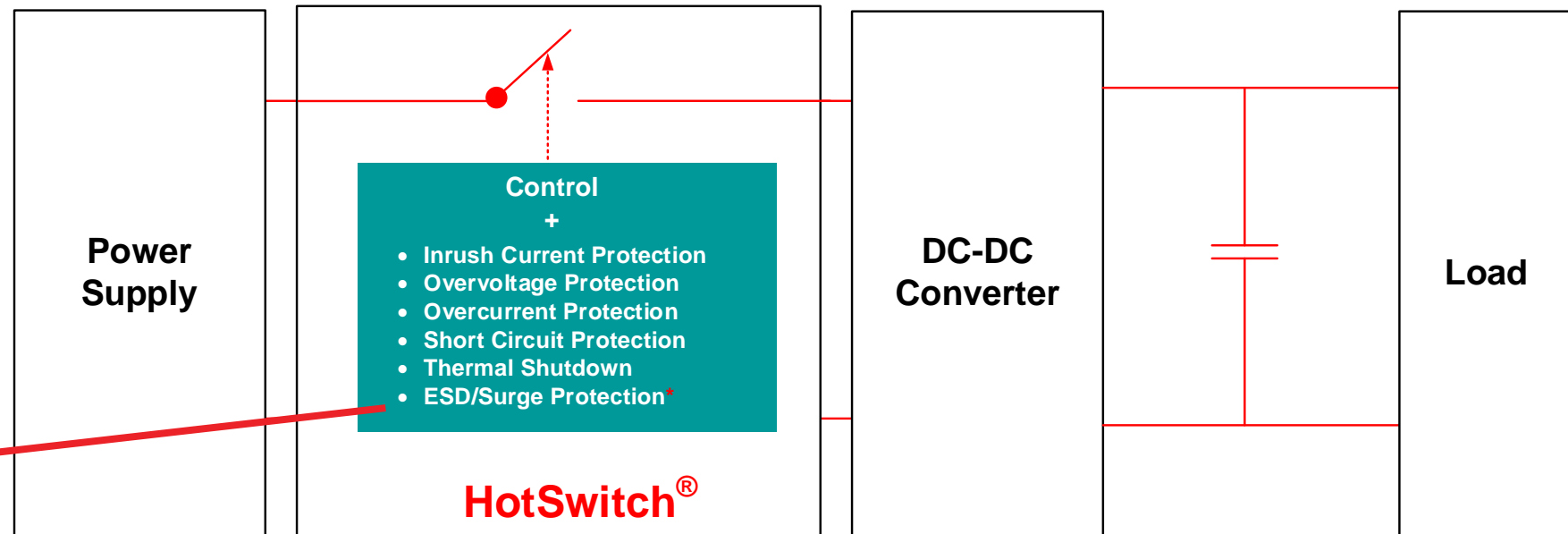
* Integrated in several eFuse parts

V.S.

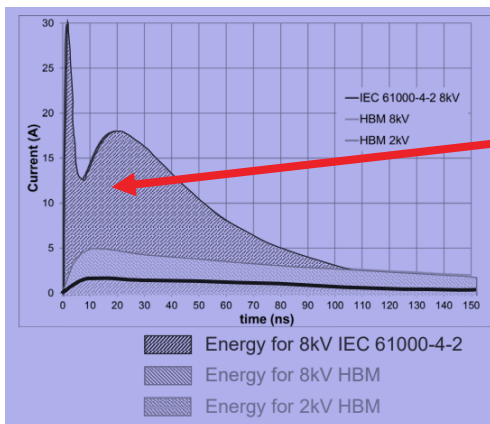


What is HotSwitch[®] for System Protection

HotSwitch – A single device covers different types of protection and fault conditions and protects by preventing damage to the downstream components

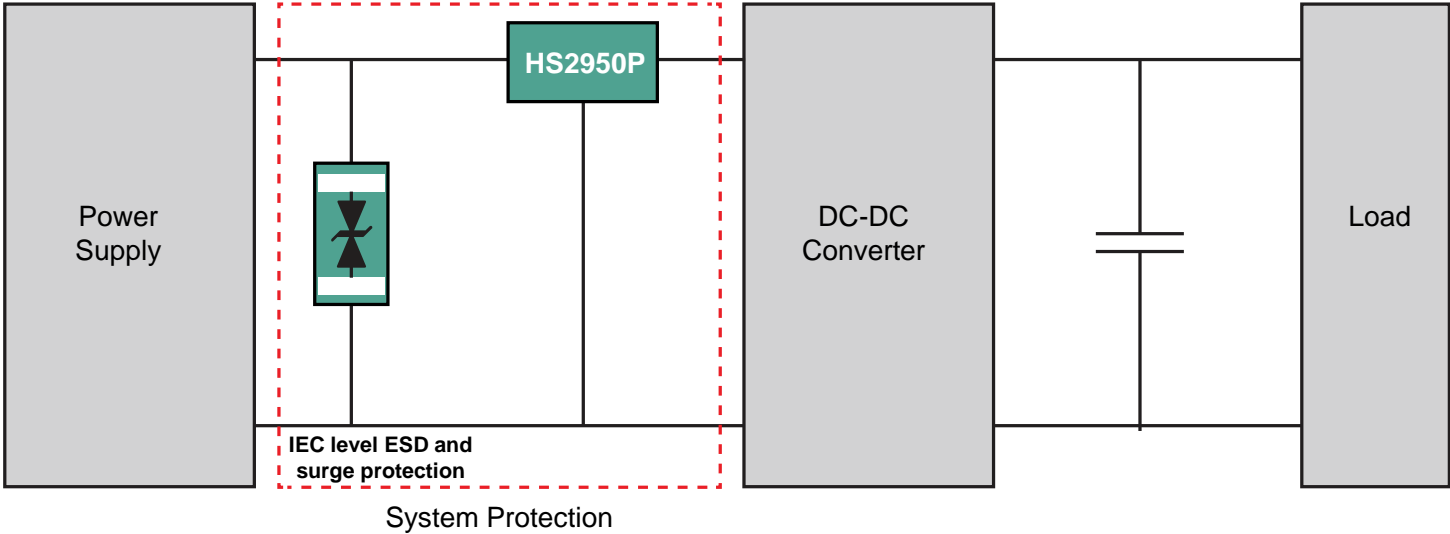
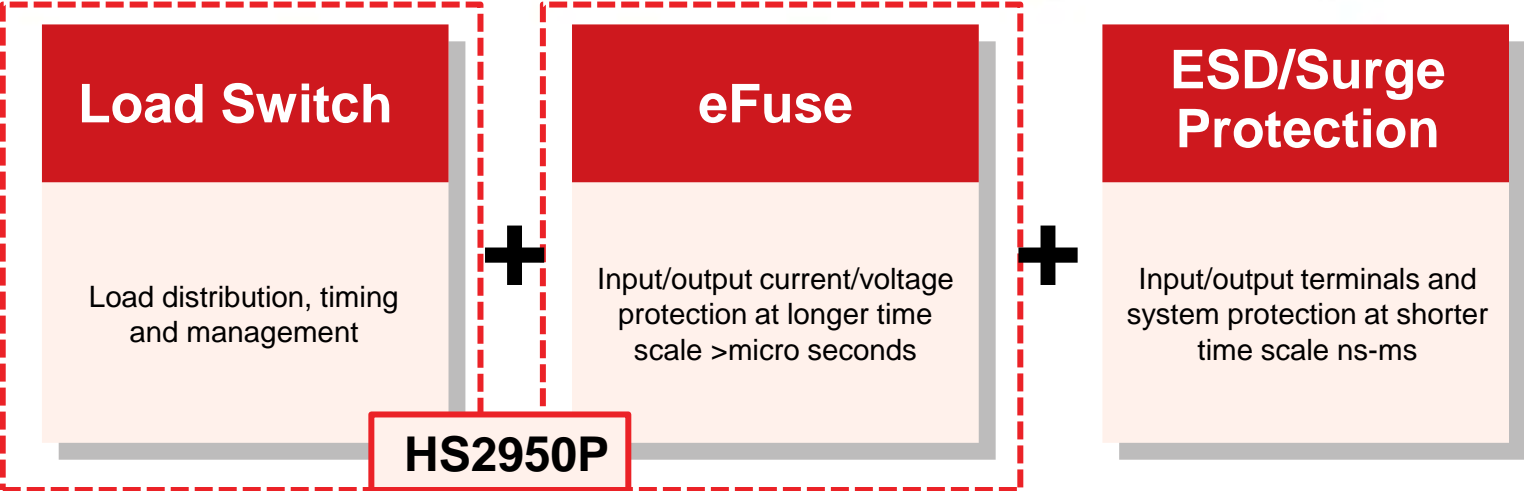


* Integrated in several eFuse parts



HS2950P: 29V 5A Load Protection HotSwitch[®]

HotSwitch[®] =

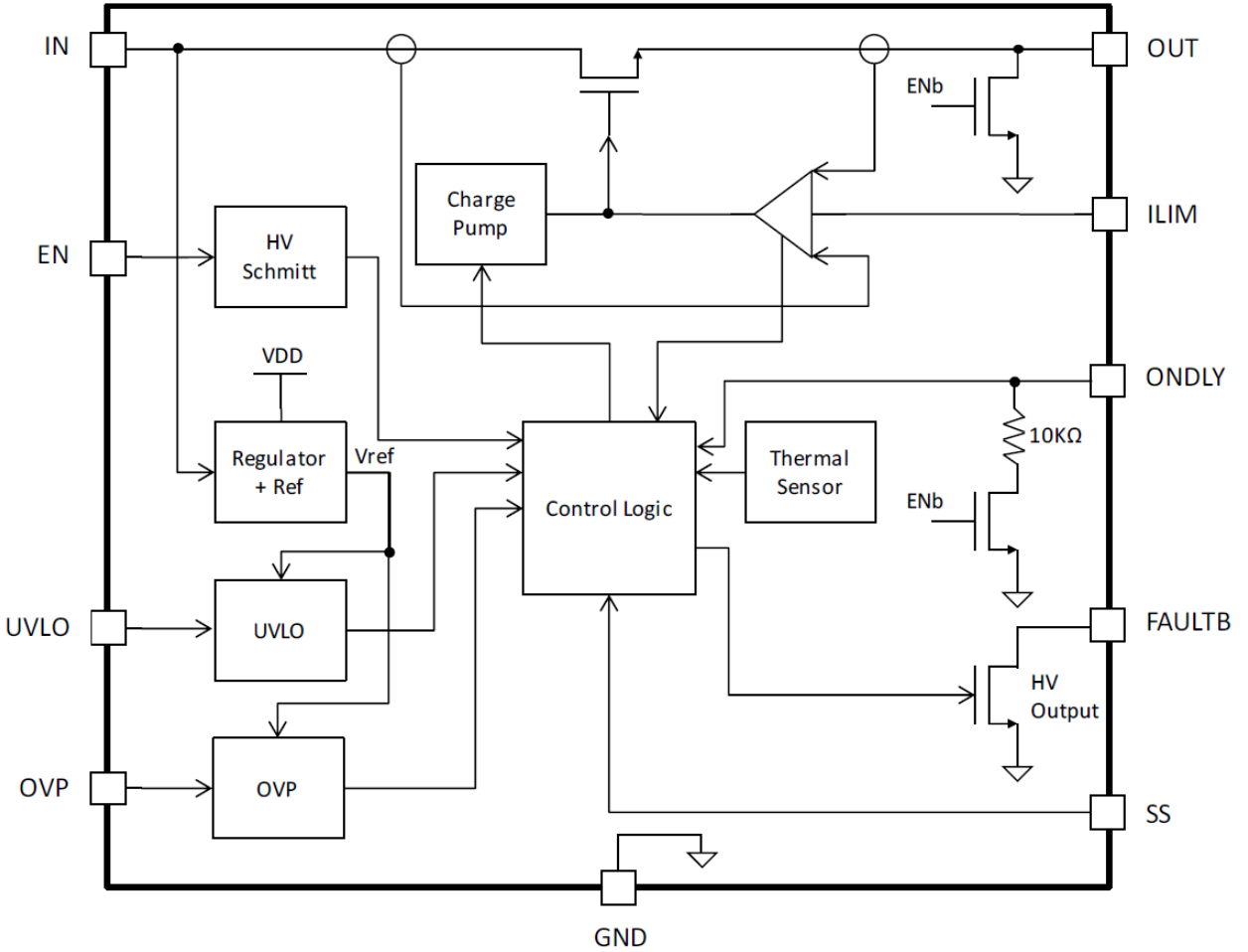


HS2950P: 29V 5A Load Protection HotSwitch®

- ❑ Integrated Load Switch
- ❑ Input Voltage Range: 2.7V to 29V
- ❑ Up to 5A Current Output
- ❑ Low RON: 25mΩ
- ❑ Adjustable Current Limit
- ❑ Adjustable Over Voltage Protection
- ❑ Adjustable Soft Start
- ❑ Automatic Output Discharge
- ❑ Fault Flag Output
- ❑ DFN 3.0 x 3.0 x 0.55mm

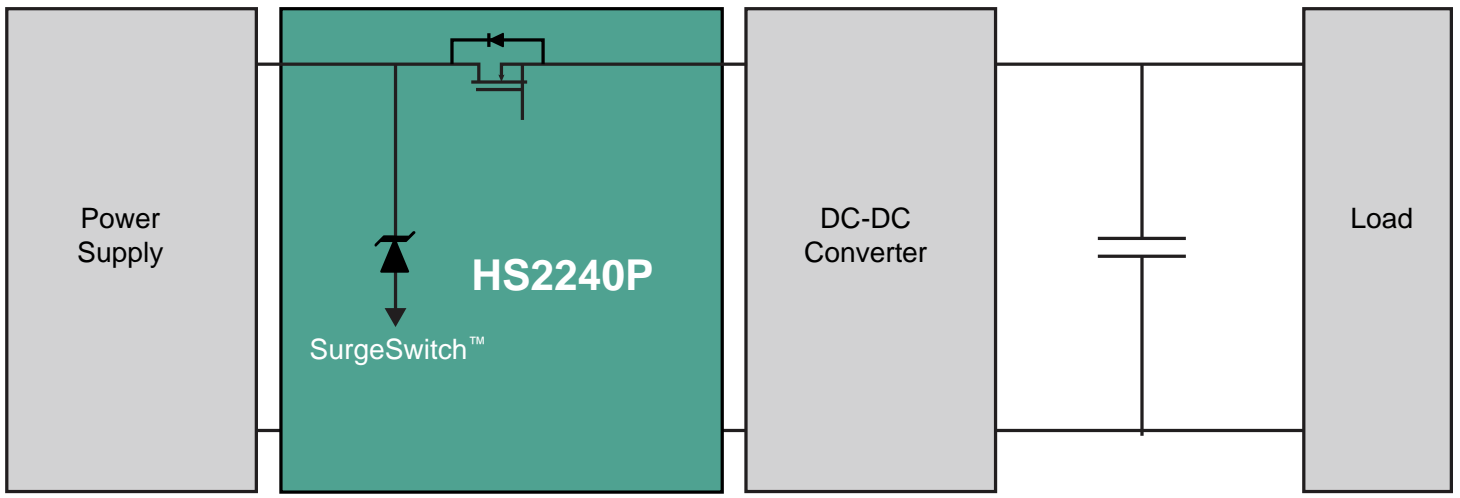
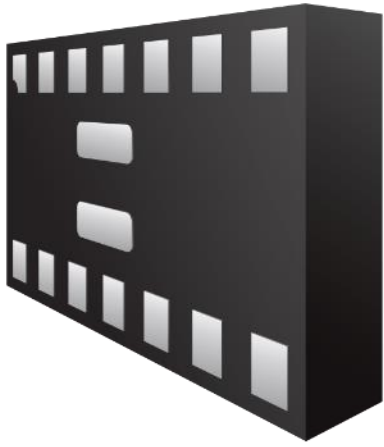
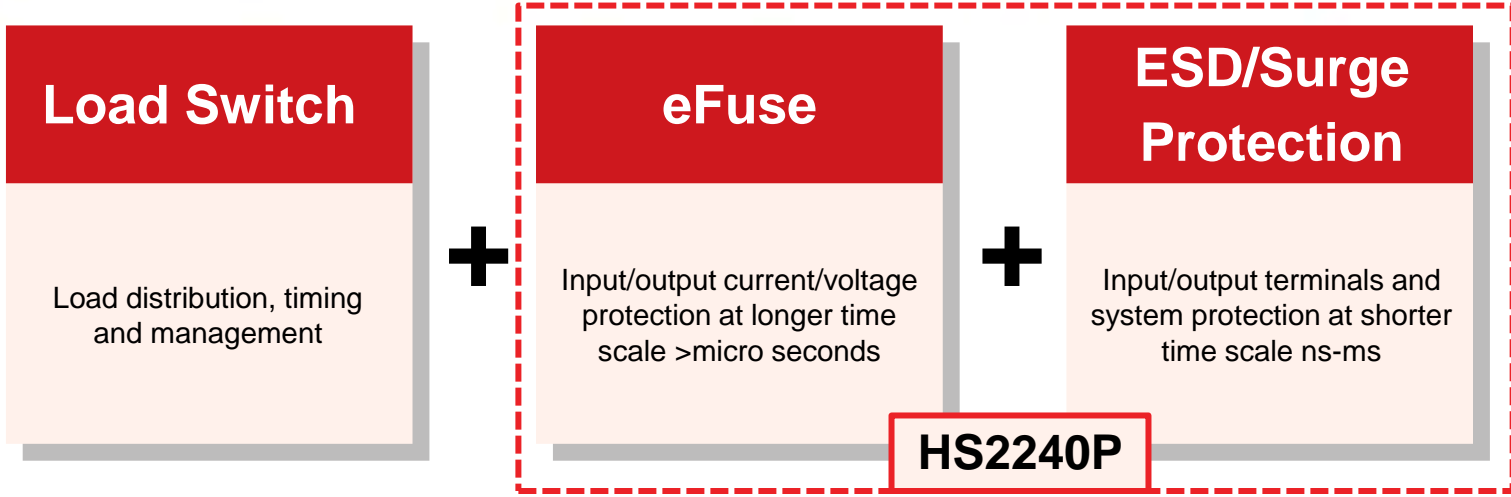
TYPICAL APPLICATIONS

- ❑ Telecommunication, Networking Equipment
- ❑ Office Automation Equipment
- ❑ Consumer Products



HS2240P: 22V eFuse with SurgeSwitch™ Protection

HotSwitch® =



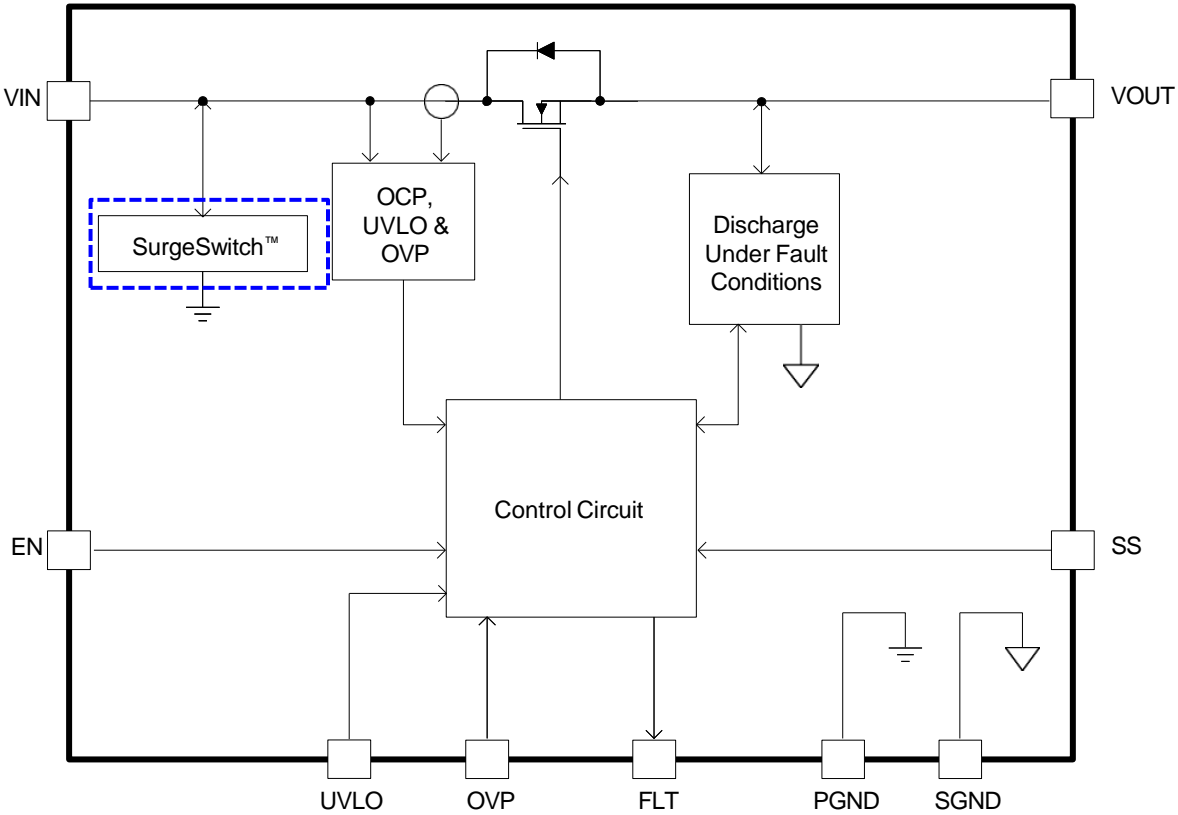
System Protection

HS2240P: 22V eFuse with SurgeSwitch™ Protection

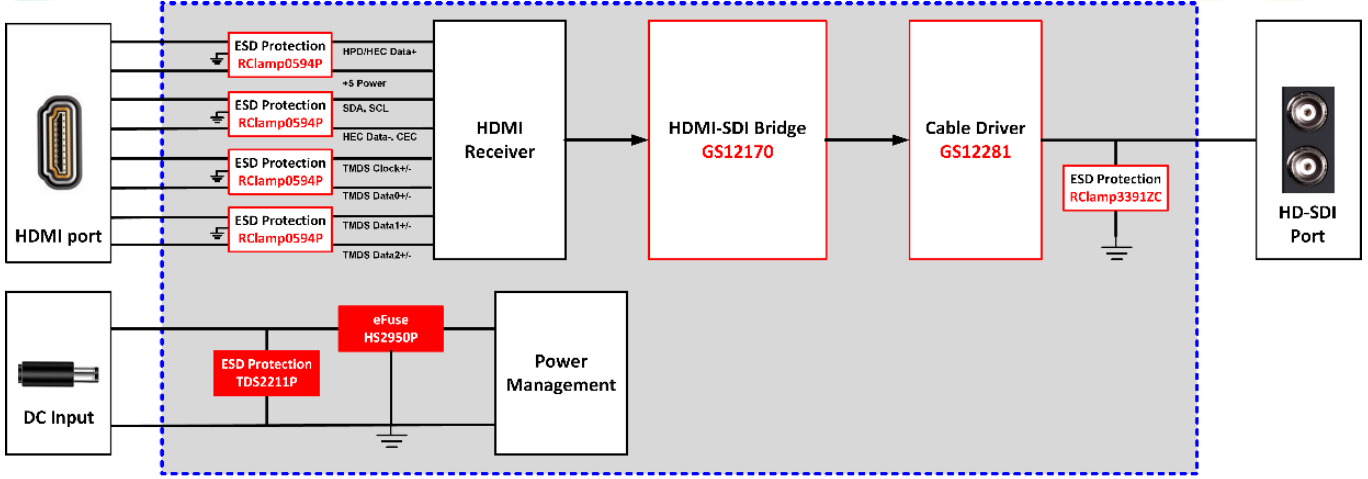
- ❑ Short-Circuit, Surge, and ESD Protection
- ❑ VIN: 2.7V – 22V
- ❑ Response Time: 100ns (typ) under default mode
- ❑ OCP: Fixed 3.9A
- ❑ Surge: 40A (T_p -1.2/50us)
- ❑ Up to 3.1A DC Output Current
- ❑ Adjustable UVLO and OVP
- ❑ Automatic Output Discharge
- ❑ Fault Flag Output
- ❑ **DFN 3.5 x 2.0 x 0.57mm**

TYPICAL APPLICATIONS

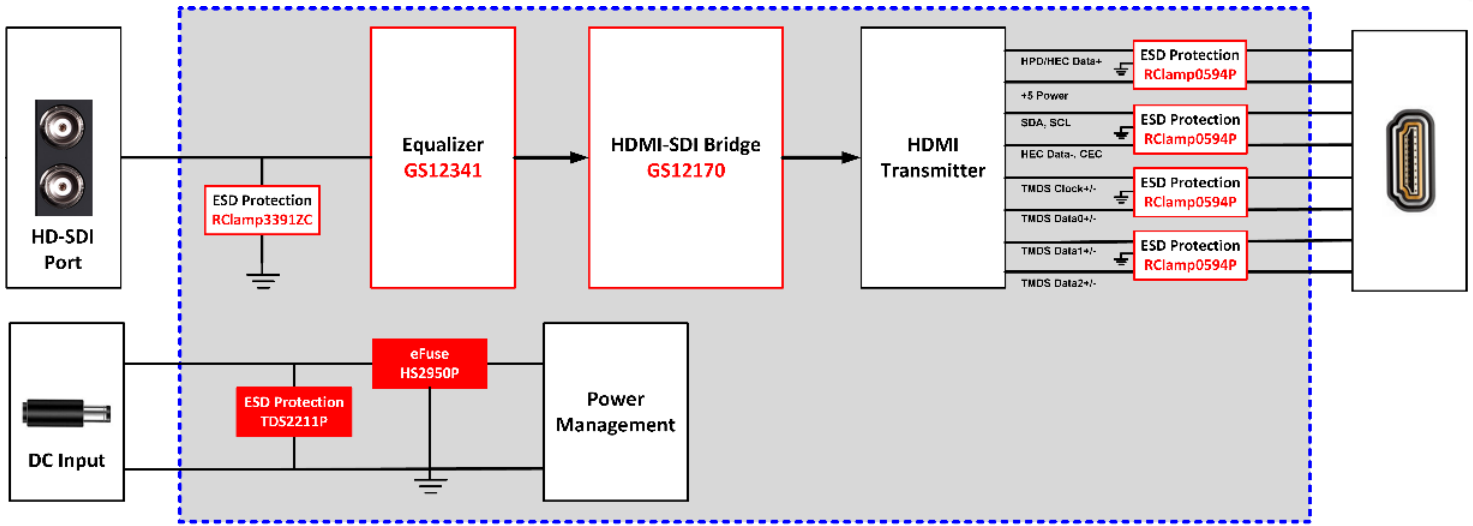
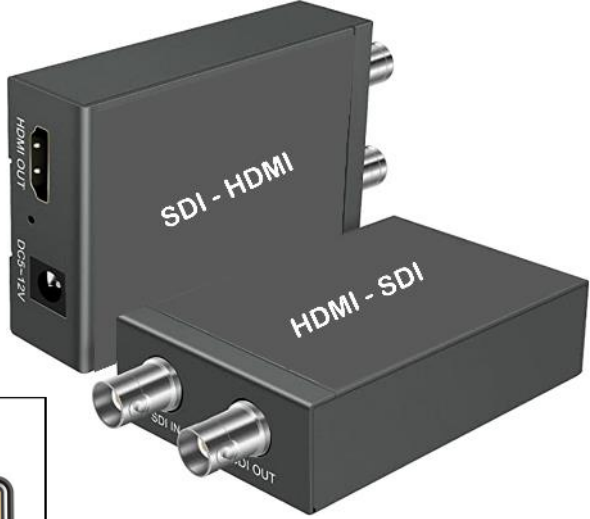
- ❑ **Digital Media (streaming) players**
- ❑ **Set Top Box**
- ❑ **Smart TV**



HotSwitch® Application: HDMI-SDI Converter↔

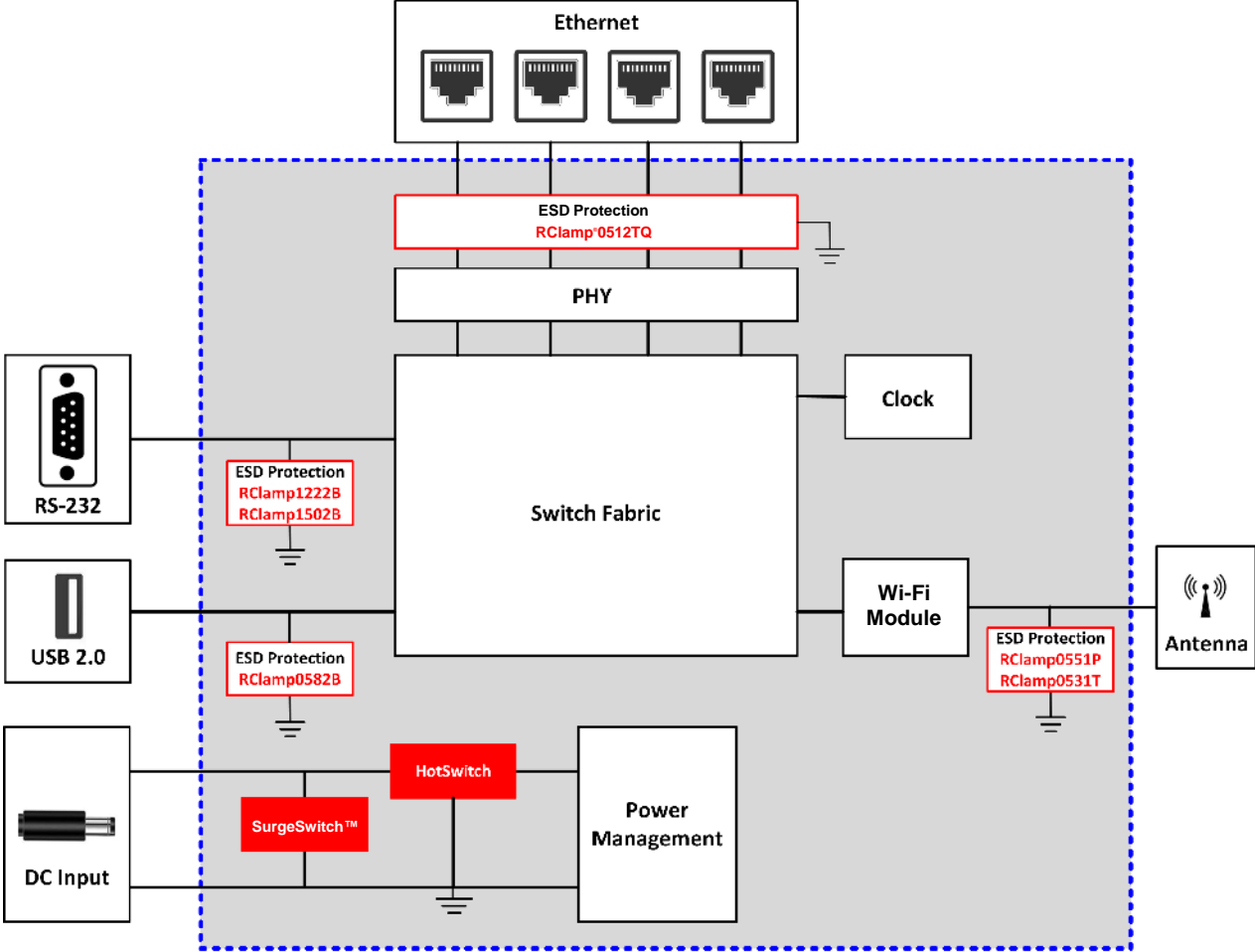


HDMI – SDI Converter



SDI- HDMI Converter

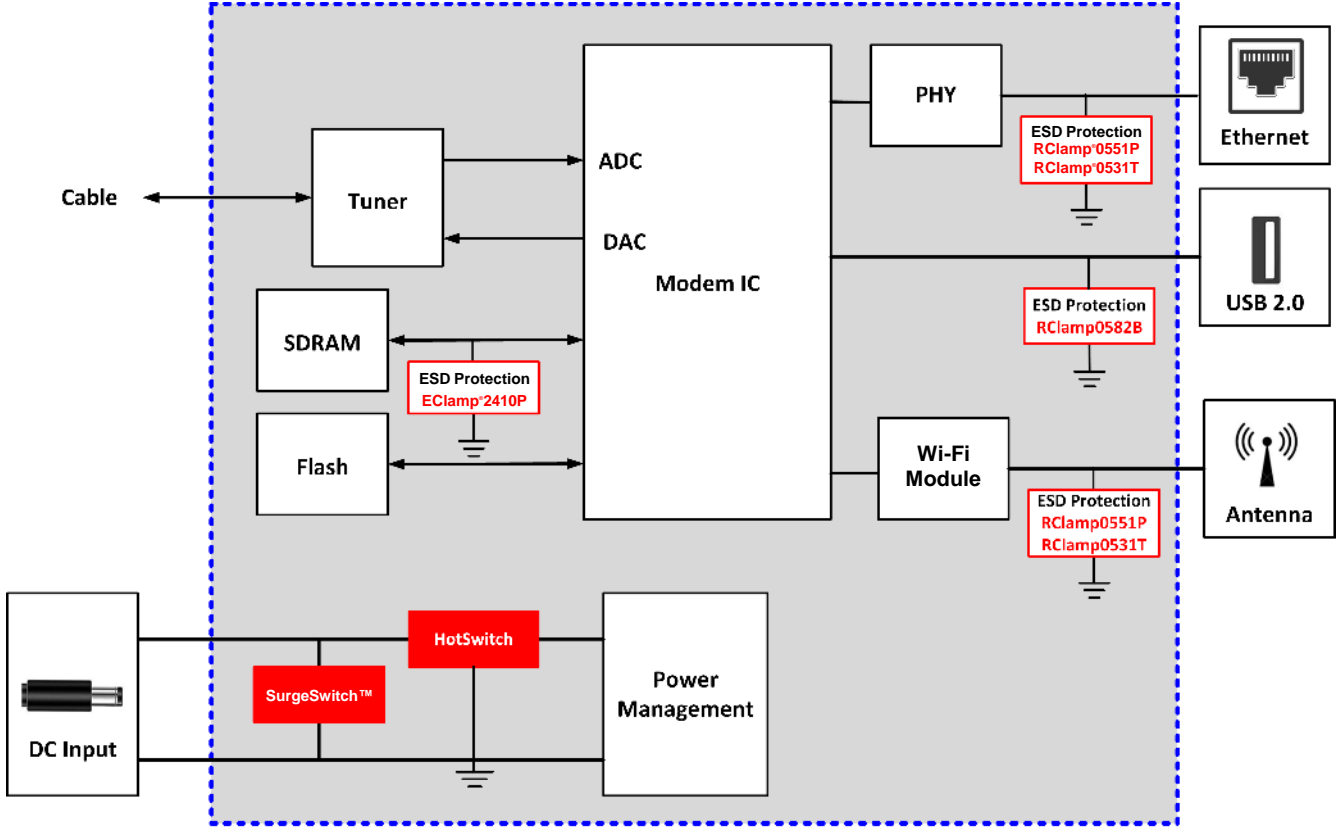
HotSwitch[®] Application: Router



Block diagram of a Router



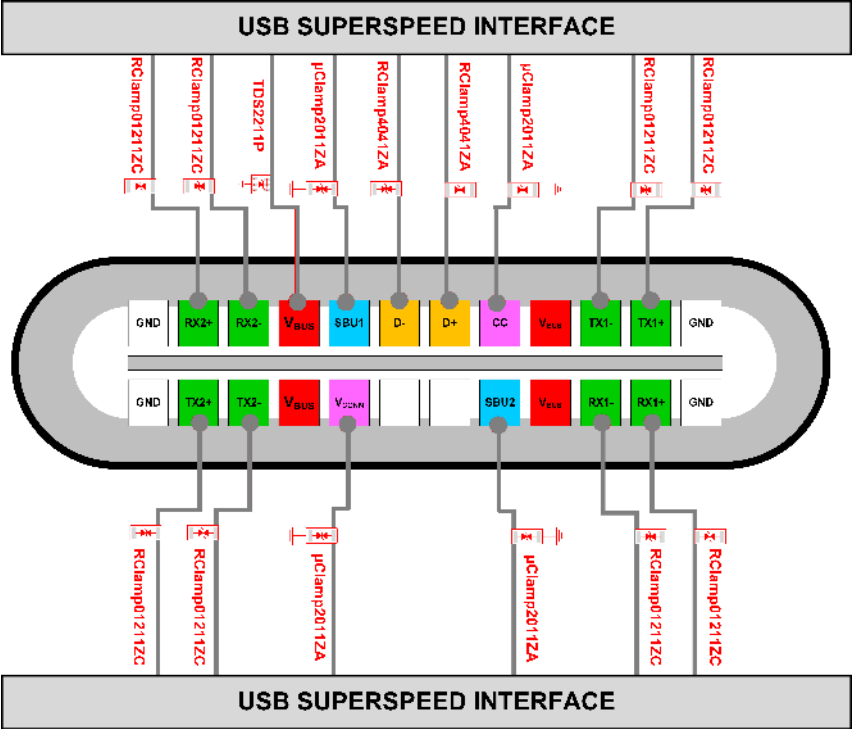
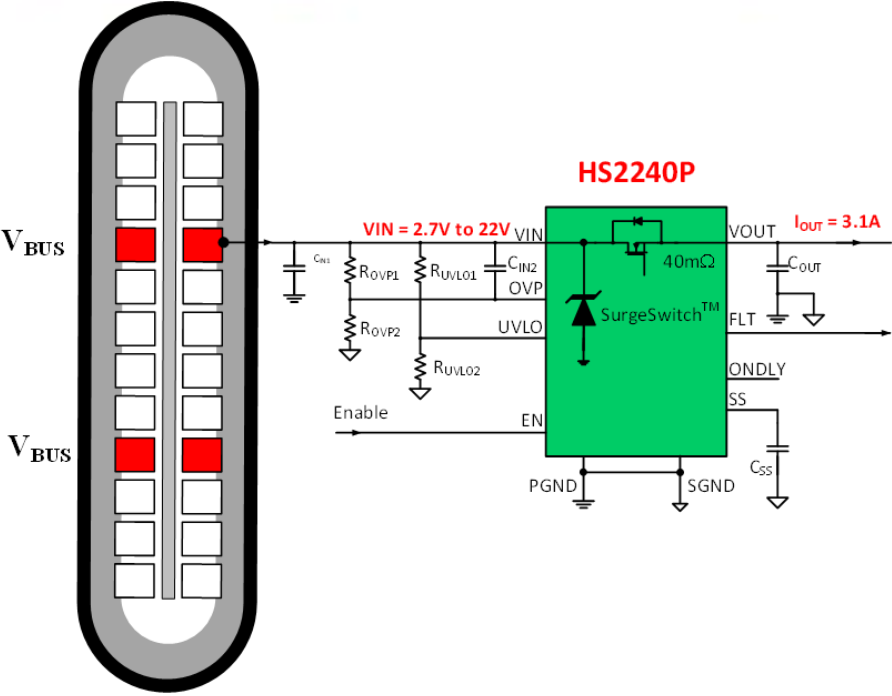
HotSwitch[®] Application: Cable Modem



Block diagram of a Cable Modem



HotSwitch[®] Application: USB Type-C



Mode of Operation	Maximum Voltage	Maximum Current	Maximum Power
USB Type-C	5V	3A	15W
USB PD	20V	5A	100W